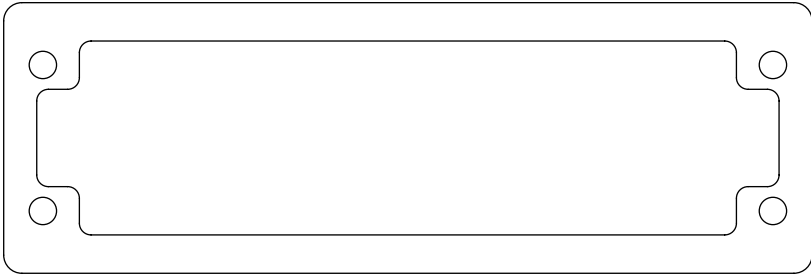
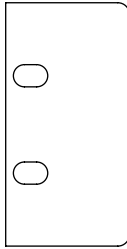


Installation Instructions

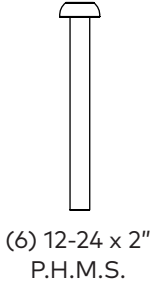
GK9000 Shim Kit (Glass Kit)



(2) 9000GK chassis shims



(2) GK9000E endcap shims

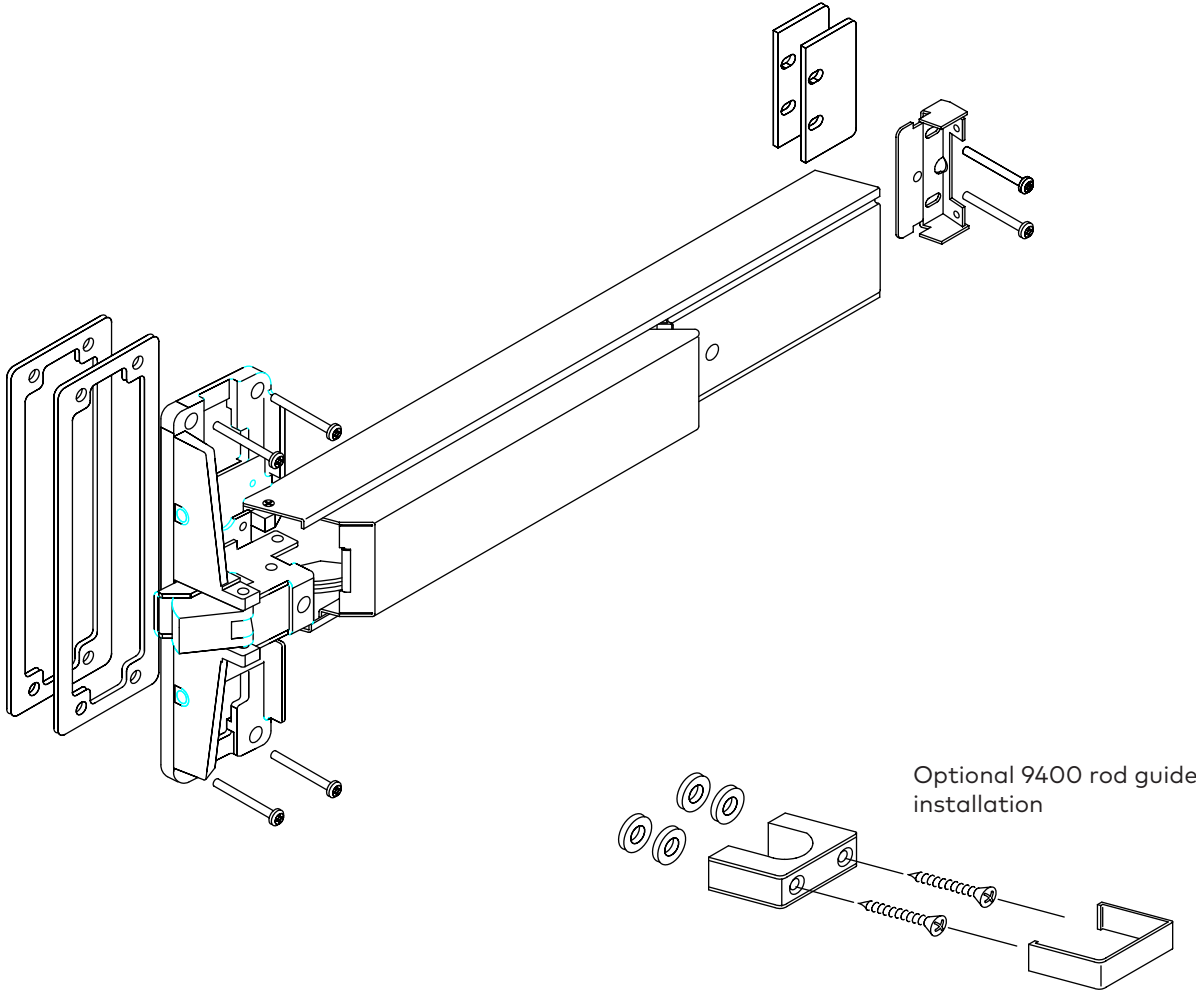


(6) 12-24 x 2" P.H.M.S.



(16) flat washers

The GK9000 Shim Kit allows the installer to make adjustments for glass lite kits, etc. that may cause interference with the normal installation of the hardware. The kit includes shims and washer which allows the hardware to be raised 1/8" - 1/4" off. Shims can be used on all 9000 series devices. The additional flat washers are included for the rod guides of the 9400 series. See typical installation below.



Optional 9400 rod guide installation